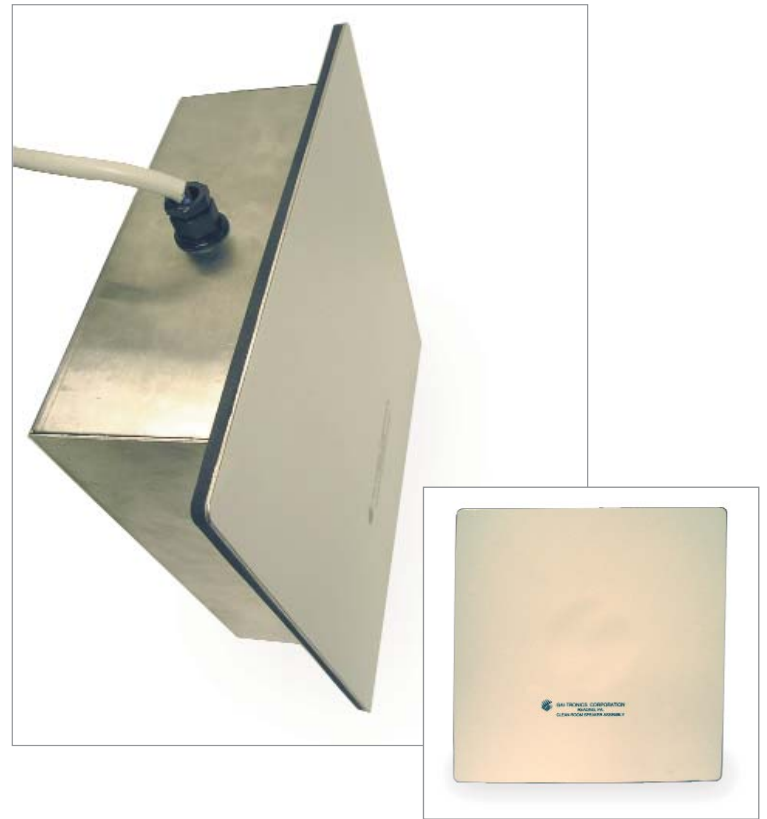


Features

- **Ceiling or Wall Flush Mountable**
- **Outstanding voice reproduction**
- **Completely smooth front panel is sealed with an overlay that keeps the environment particulate-free**
- **Available in 8 ohm and 70V**
- **Stainless steel back-box**



The Clean Room Speaker is ideal for clean room environments. The speaker is designed to provide outstanding voice reproduction for use in public address and general alarm applications. The unit can be ceiling mounted or flush mounted into a wall. The completely smooth front panel is sealed with an overlay that allows for wash-downs while keeping the environment particulate-free.

The Clean Room Speaker graphic overlay is designed to withstand exposure to many chemicals (see partial list below). **For a complete list, please contact your GAI-Tronics® service representative.**

Isopropanol

Methanol

Benzene

Water <100°

Acetone

Alkal carbonate

Hydrogen peroxide 25%

Aliphatic hydrocarbons

Xylene

Trichlorethylene

Ammonia < 2%

Washing Powders

Caustic soda < 2%

Toluene

Chlorofluorohydrocarbons

Phosphoric acid < 30%

Hydrochloric acid < 30%

Nitric acid < 10%

Sodium hypochlorite < 20%

Clean Room Speaker

Model 13360 / 13361



Specifications

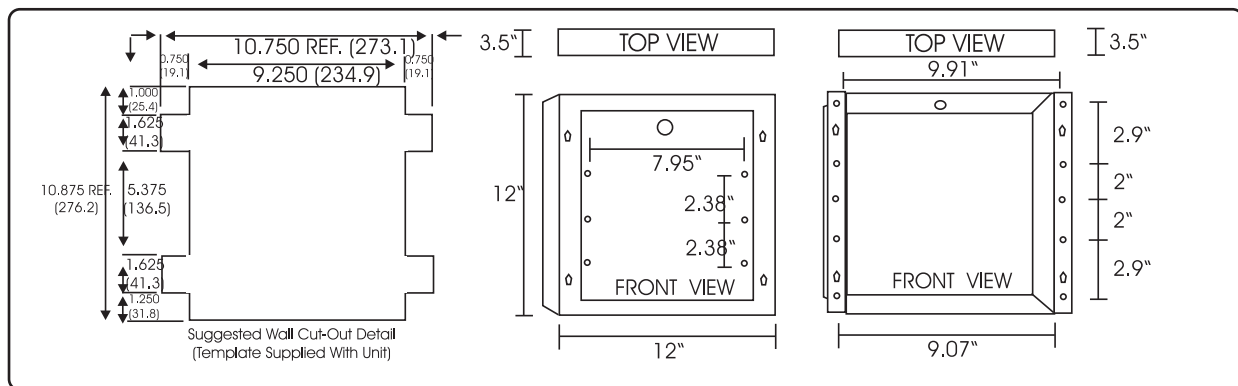
Electrical

Power:16 Watts continuous (13360); 8 Watts (13361)
Impedance: 8 ohms (13360) 70.7 V line matching transformer (13361)
Sensitivity:102 dB (1 watt at 1 meter)
Frequency Response: 410 Hz to 4200 Hz; ± 6 dB
Dispersion:180° @ 1000 Hz

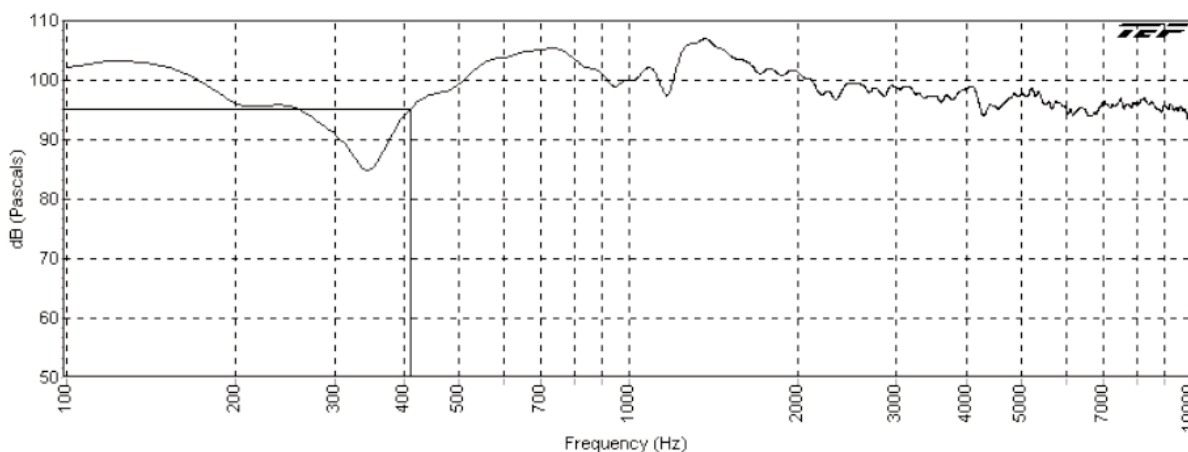
Mechanical

Mounting: Ceiling or flush wall mounting
Dimensions: Front Panel: 12" W x 12" H (inches); 305 W x 305 H (mm)
Mounting Bracket: 10.75" W x 10.75" H x 3.5" D (inches); 273.1 W x 273.1 H x 88.9 D (mm)
Construction: Front Panel: 8 mil polyester over 16 gauge stainless steel
Mounting Bracket: 16 gauge stainless steel
Net Weight: 11 lbs. (4.99 kgs)

Mounting Details



Frequency Response for 13360 Speaker



USA Toll Free: 1 (800) 492-1212 Tel: (610) 777-1374 Fax: (610) 796-5954 www.gai-tronics.com
UK Tel: +44 (0)1283 500500 Fax: +44 (0)1283 500400 www.gai-tronics.co.uk
Italy Tel: +39 02 48601460 Fax: +39 02 93663110 www.gai-tronics.it
Malaysia Tel: +60-3-8945-4035 / 8945-7348 Fax: +60-3-8945-4675 www.gai-tronics.com
Australia Tel: 011-61-28-851-5000 Fax: 011-61-29-899-2490 www.austdac.com.au

