

Features

- **VoIP Design, SIP Compatible**
- **Web Page Configuration**
- **PoE or External 24-48 V dc Power**
- **Real-time Alarm Reporting via Email**
- **RJ45 Direct Connection**
- **Three Auto-dial Numbers Allow Quick Communication at the Touch of a Button**
- **Completely Smooth Front Panel is Sealed with an Overlay that Keeps the Phone Particulate-free and Makes Cleaning Quick and Easy**
- **Oversized Buttons with Clearly Marked Functions Permit Operation for Gloved Hands**
- **Auto-answer Feature**
- **Multicast (up to 8 addresses) or Peer-to-peer Capable**
- **Four Inputs and Two Volt-free Outputs for Peripheral Control**
- **Flush or Surface-mount Model**
- **Automatic Call Divert (rollover), via Memory List**
- **Compatible with TMA Software for Usage and Maintenance**
- **UL/CSA 60950 Listed**
- **Compatible with TMA (Telephone Management Application) Software**



Typical installation locations include:

- Hospital rooms (OR/ER)
- Drug manufacturing facilities
- Food processing facilities
- Semi-conductor manufacturing facilities

The **VoIP Clean Phone®** offers hands-free communications over an existing VoIP network for clean room environments. These telephones are intended for connection via RJ45 to a 10/100 BaseT Ethernet and operate using either PoE or an external dc power source. The VoIP Clean Phone® features alarm reporting that enables system supervisors to monitor the telephone's activity and address maintenance issues immediately. The Clean Phone is also compatible with GAI-Tronics' TMA (Telephone Management Application) software for maintenance and activity monitoring from a central location. Embedded web pages permit access to each telephone, via a browser such as Internet Explorer®, to view, monitor, and change settings within the unit.

The VoIP Clean Phone® graphic overlay is designed to withstand exposure to many chemicals. Please contact the factory for questions pertaining to chemicals not listed below:

Ajax / Vim in solution	Downey / Lenor ¹	Phosphoric acid (<30%)
Alkalicarbonate solution ¹	Ethanol	Potassium ferricyanide
Ammonia (<40%)	Glycerine	Potassium hydroxide (<30%)
Acetic Acid (50%)	Glycol	Pure Turpentine
Ariel powder in solution ¹	Gumption ¹	SBP 60/95 ¹
Bleach ¹	Hydrochloric acid (<36%)	Sulfuric Acid (<10%)
Castor oil	Linseed Oil	Tomato Ketchup
Caustic soda (<40%) ¹	Methanol	Trichloroacetic acid (<50%)
Cutting oil	Nitric Acid (<10%)	White Spirit
Cyclohexanol	Paraffin oil	Windex ¹
Diacetone alcohol	Persil powder in solution ¹	Wisk
Diesel	Petroleum spirit ¹	

¹ Extremely faint glossing of the texture was noted.

The VoIP CLEAN PHONE® graphic overlay is NOT resistant to the following:

Concentrated Mineral acids	High pressure steam at over 100°C	Methylene chloride
Concentrated caustic solution	Benzyl alcohol	UV
Dimethylformamide	Tetrahydrofuran	

Specifications

Power Power-over-Ethernet, 802.3af compliant (via RJ45), or External power supply 24-48 V dc, 6 W. A separate, isolated supply must be provided for each telephone.

Network 10/100 BaseT Ethernet RJ45, Cat5 or Cat5e UTP Static IP provisioning or DHCP STUN client (NAT traversal)

Call Control Signaling SIP (RFC3261 compliant) Loose routing

Microphone Electret

INPUTS*

Keypad 3x4 matrix

Call Push Buttons Autodial (3)

Activation Push Buttons ON/OFF

Configurable inputs 4

OUTPUTS

Output 1 10 A @ 30 V ac/dc (resistive load)

Output 2 50 mA @ 30 V ac/dc (resistive load)

Speaker out (max.) 85 dBS spl @ 1 meter

Ambient Noise Level Limit 75 dBA

Configuration Web page, configuration file, static IP address provisioning or DHCP

Monitoring and Reporting Real-time over TCP/IP proprietary Syslog application, email embedded SMTP client Automatic fault reporting, or TMA monitoring

OUTPUTS continued...

Call Diversion Configurable call list (max 20 entries)

Multicast Capability up to 8 addresses

Compliance to Standards FCC CRF 47 Part 15 UL/CSA 60950

ENVIRONMENTAL

Temperature range:

Operating -4°F to +140°F (-20°C to +60°C)

Storage -40°C to +70°C

Relative Humidity Up to 95%, non-condensing

PCBA Conformal coated

CONSTRUCTION

Front Panel 8 mil polyester over 16-gauge stainless steel

Back enclosure or Mtg. Bracket 16-gauge stainless steel

DIMENSIONS

Front Panel 12.0 W x 12.0 H inches (305 W x 305 H mm)

Mtg. Bracket (295-702F) 10.7 W x 10.8 H x 1.8 D inches (273 W x 276 H x 44 D mm)

Back Enclosure (295-702W) 12.0 W x 12.0 H x 3.5 D inches (305 W x 305 H x 52 D mm)

WEIGHT (shipping)

Model 295-702W 10.2 lbs

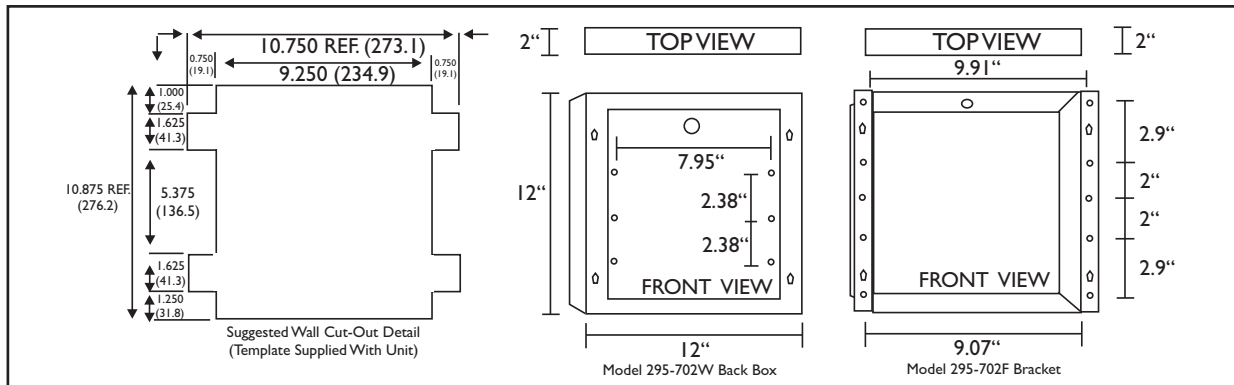
Model 295-702F 10.0 lbs

APPROVALS

Safety of Information Technology Equipment UL/CSA 60950

Compliance to Standard FCC CRF 47 Part 15

Mounting Details



Ordering Information

Model No.	DESCRIPTION:
295-702F	Flush-Mount VoIP Clean Phone®
295-702W	Wall-mount VoIP Clean Phone®
12509-044	TMA (Telephone Management Application) Package - VoIP

Accessories & Options

Model No.	DESCRIPTION:
235	Maintenance Cover
40419-011	Optional Plug-in Power Supply (purchased separately)